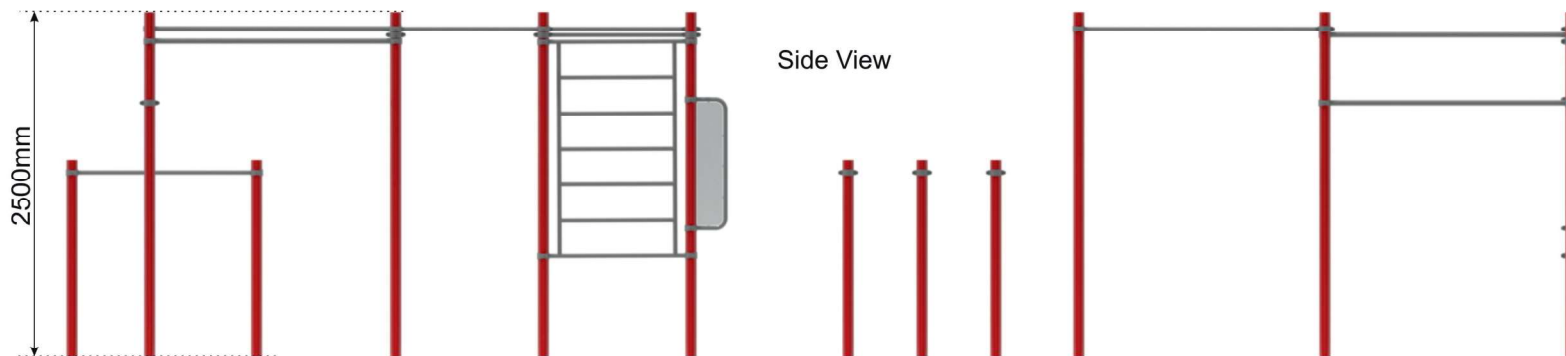
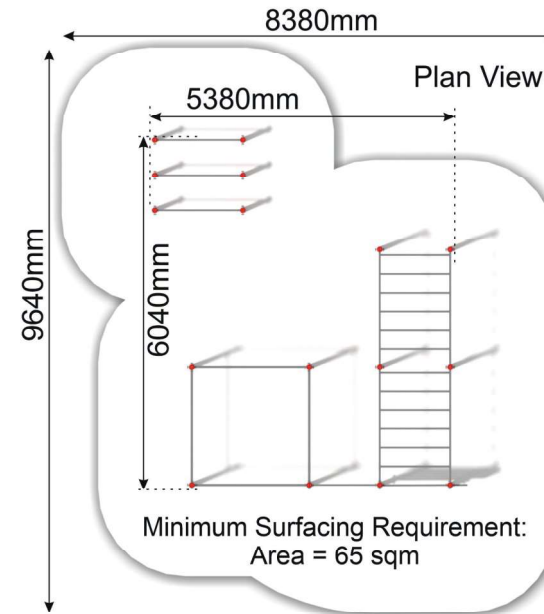
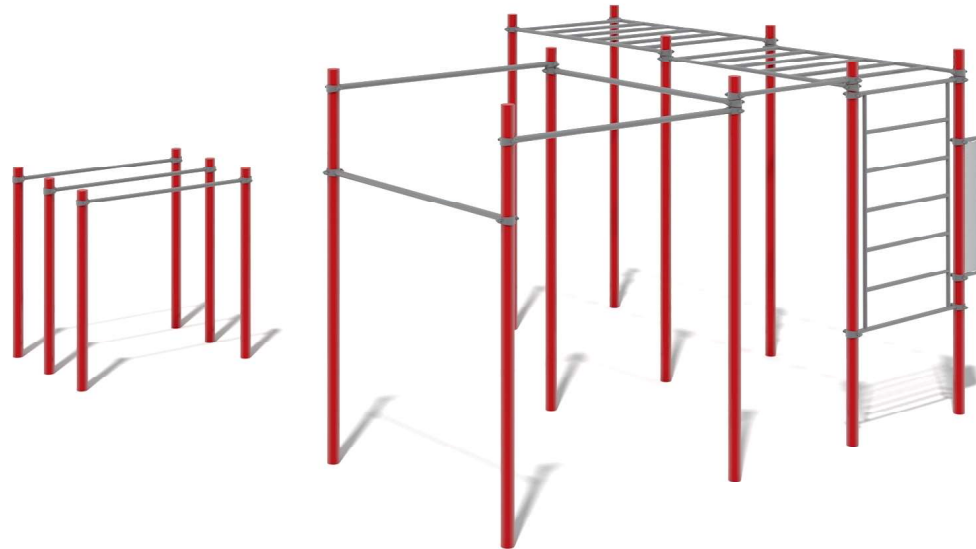


STREET WORKOUT & CALLISTHENICS - SET 7



Age Range: 13+ years
 Product Code: STC07
 Free Fall Height: 1.5m
 Surfacing Area: 65sq m
 Minimum Space: 86sq m

Play Symbols



Specification

All units manufactured in accordance to EN 16630:2015

Steel pole with a cross-section of 88.9 x 3.6 mm, painted with a double layer of powder coating in any standard colour from the RAL palette.

Exercise stations mounted to the poles with 5 mm thick clamps.

Bars, ladders, handrails are hot deep galvanising steel or stainless steel (optional).

Fittings and backrests made of 12mm HDPE.

Installation 30cm under the surface requirement of EN 16630:2015 and EN1176-1.

Different colour options available on request; etc

T: 01953 788991

F: 01953 788992

E: info@actionplayandleisure.co.uk

www.actionplayandleisure.co.uk

STREET WORKOUT & CALLISTHENICS - SET 7

Age Range: 13+ years
Product Code: STC07
Free Fall Height: 1.5m
Surfacing Area: 65sq m
Minimum Space: 86sq m

Play Symbols



Social



Physical

Specification

Description:

Cross bar (1.2 m)

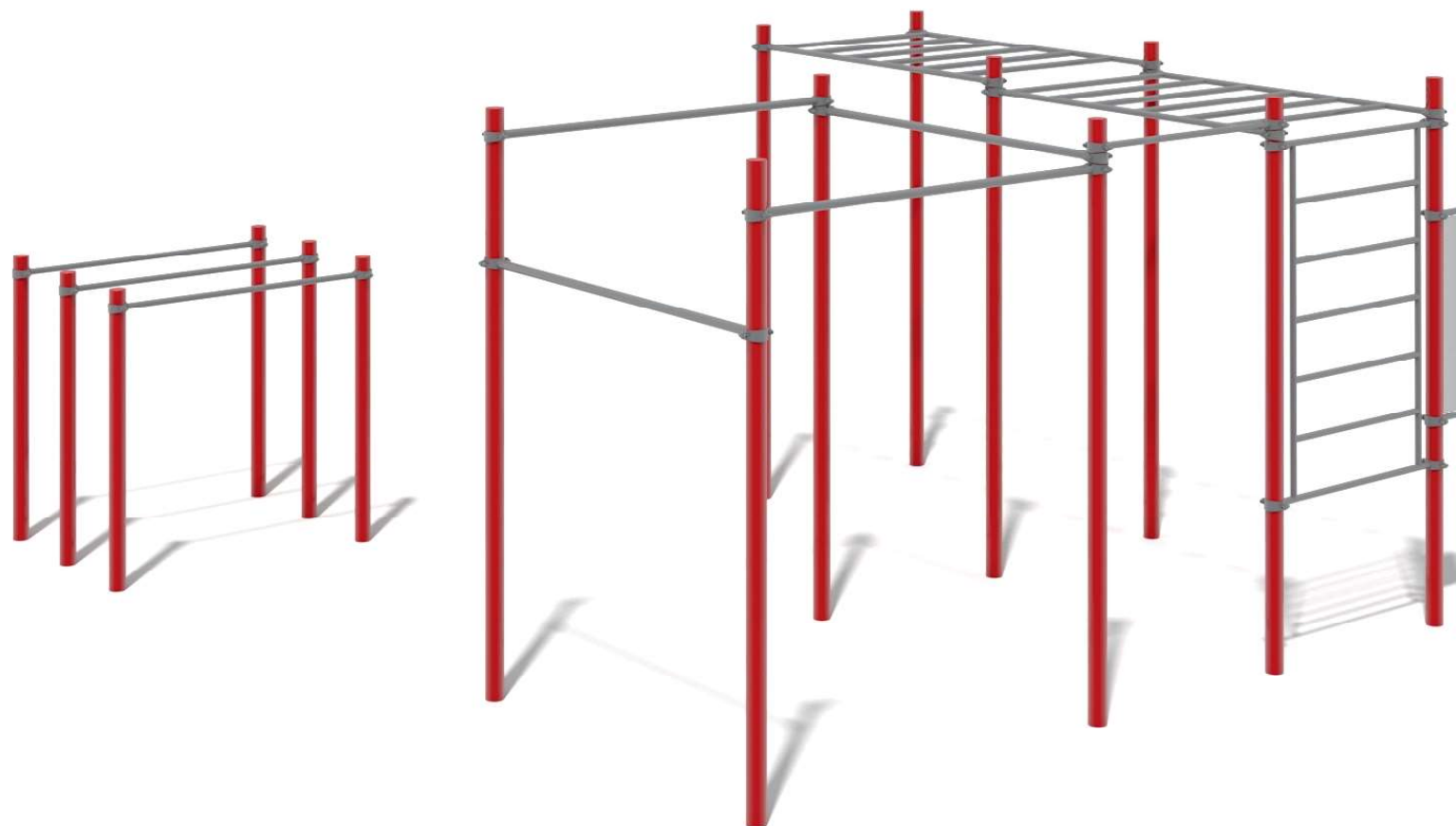
Cross bar x 3 (1.5 m)

Cross bar x 4 (2.0 m)

Vertical ladder

Horizontal ladder

Information board for the column



T: 01953 788991

F: 01953 788992

E: info@actionplayandleisure.co.uk

www.actionplayandleisure.co.uk