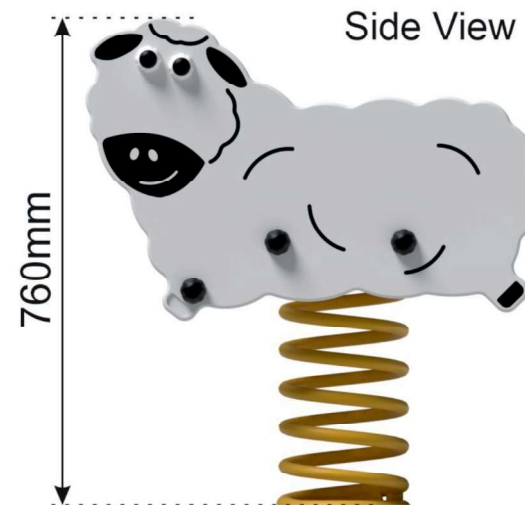
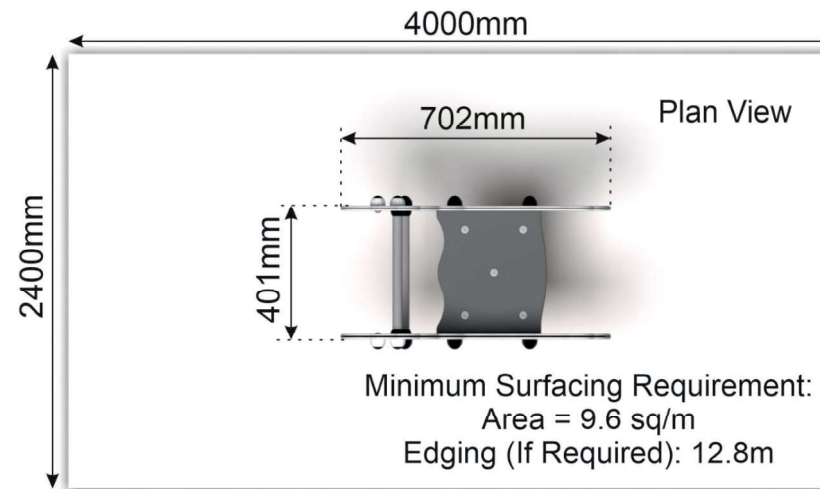


SPRINGY SHEEP



Age Range: 2 + years
Product Code: SPR22
Free Fall Height: 0.45m
Surfacing Area: 9.6sq m
Minimum Space: 26.5sq m

Play Symbols



Specification

Galvanised Steel Ground Anchor,
Seat Fully Supported by Steel Bracket,
Heavy Duty HDPE Body Construction,
Slip Resistant Seat,
High Quality Footrests and Hand
Holds TUV Tested to En1176

T: 01953 788991

F: 01953 788992

E: info@actionplayandleisure.co.uk

www.actionplayandleisure.co.uk

SPRINGY SHEEP



Age Range: 2 + years
Product Code: SPR22
Free Fall Height: 0.45m
Surfacing Area: 9.6sq m
Minimum Space: 26.5sq m

Play Symbols



Specification

Galvanised Steel Ground Anchor,
Seat Fully Supported by Steel Bracket,
Heavy Duty HDPE Body Construction,
Slip Resistant Seat,
High Quality Footrests and Hand
Holds TUV Tested to En1176

T: 01953 788991

F: 01953 788992

E: info@actionplayandleisure.co.uk

www.actionplayandleisure.co.uk